

INTRODUCING
THE NEXT GENERATION IN DUMP BODY TECHNOLOGY

THE

FLEX-SYSTEM™

Patent pending

Adapt and modularize your dump body to be configured
how you need it, when you need it, with little effort and time



FLEX-GATE™

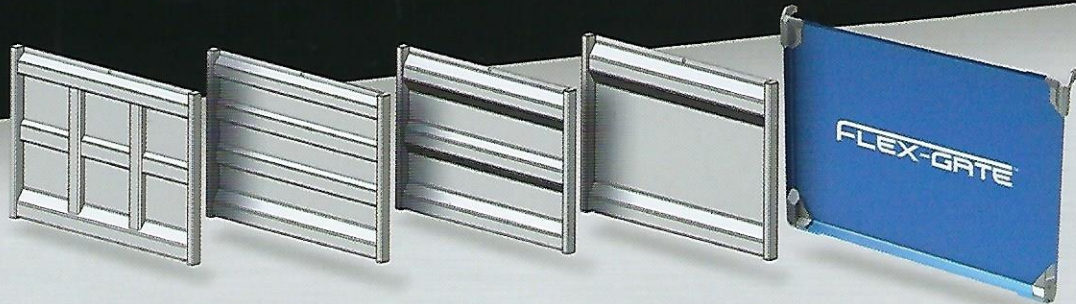
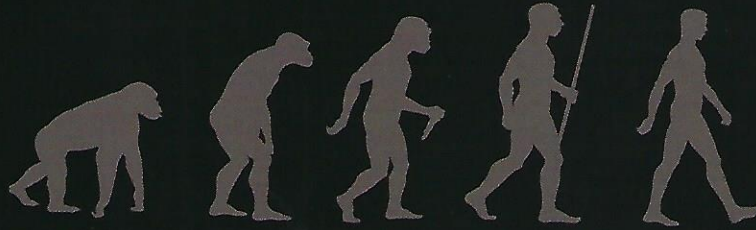
FLEX-PARTS™

FLEX-BODY™

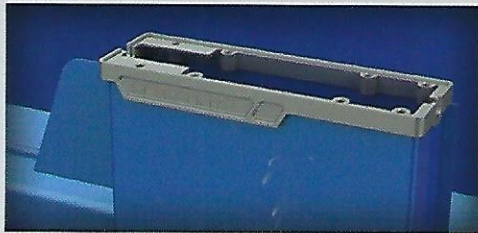
FLEX-GATE™

Patent pending

The evolution of the tailgate has gone from a heavy, over welded gate to the currently used 1 & 2 piece gate, to the next generation in dump body tailgates, our new universal FLEX-GATE™ system that allows you to have 3 gate configurations with one tailgate all in a matter of minutes and is 30% lighter than our current 2 panel tailgate. With our new bending technology, the Flex-Gate is also highly impact and vibration resistant by having no weld points on the gate. This means no cracking welds on your tailgate, ever.

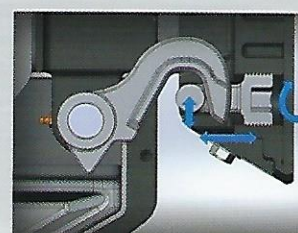
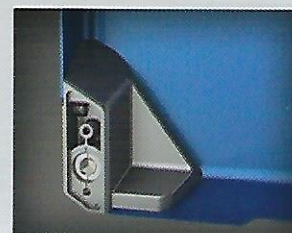


THE FLEX-GATE IS EASY TO ADJUST & ADAPT TO WHAT YOU NEED IN A MATTER OF MINUTES WITH NO WELDING



The universal base plate is the key to it all which allows for quick and easy adaption from configuration to another in minutes;

- Single Action tailgate opening
- High-Lift tailgate opening
- Barn-Door tailgate opening
- Double Action tailgate opening (coming in 2020)



Our new Flex-Gate SMART POCKET safety mechanism is the first dump body tailgate to have no pinch point

- Adjustable set screw allows for a perfect seal and the system also allows +/- 1/4" tailgate height adjustment for a perfect fit every time, plus it requires no welding or touch-up after final adjustment

FLEX-GATE

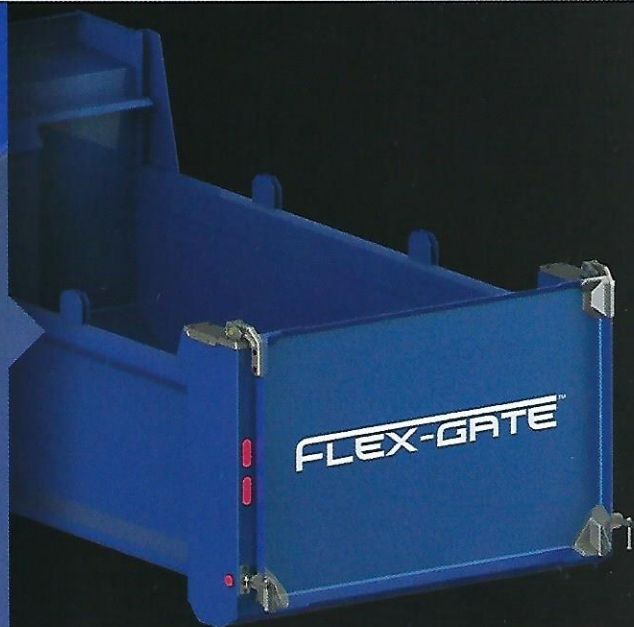
FLEX-GATE

FLEX-GATE™

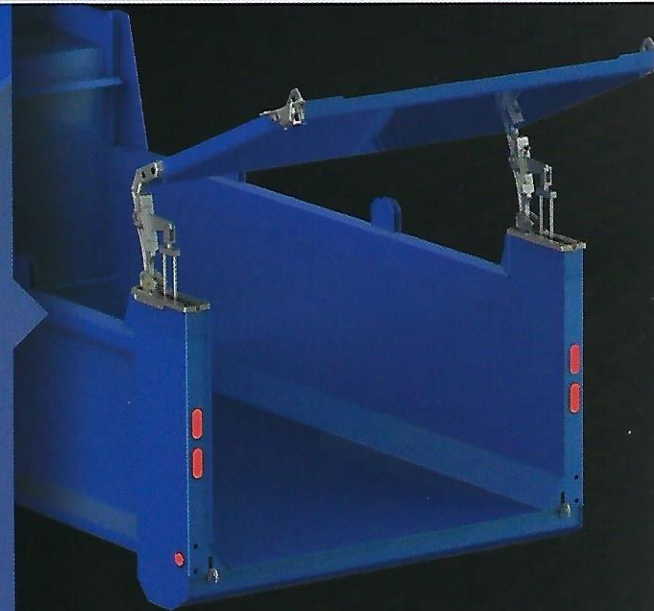
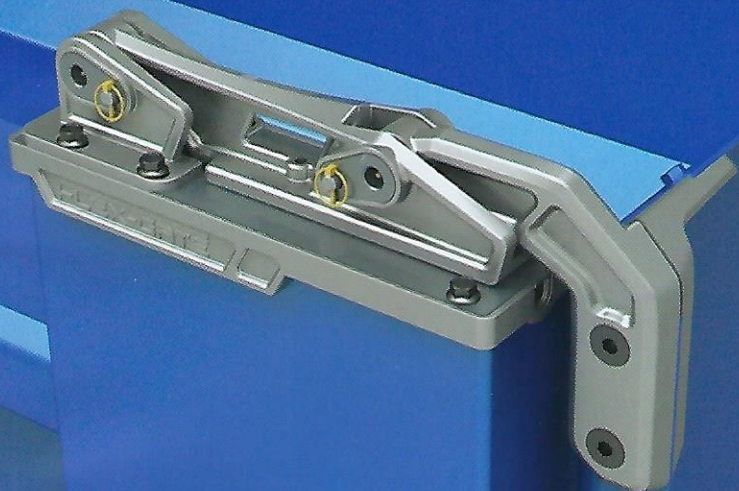
Patent pending

SINGLE ACTION OPENING

X AXIS ADJUSTMENT POSSIBLE WITH THE
ADJUSTMENT SCREW ON BOTH SIDES



INTERNAL HIGH-LIFT ACTION OPENING

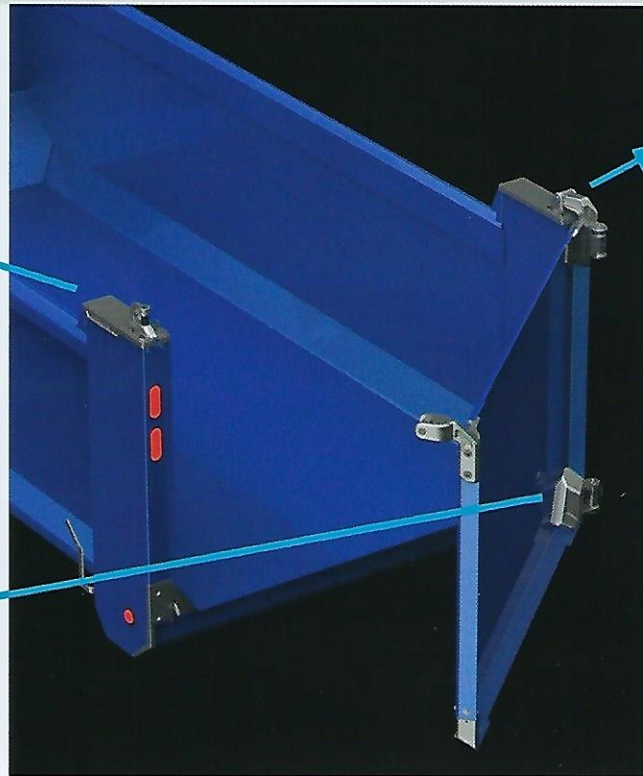
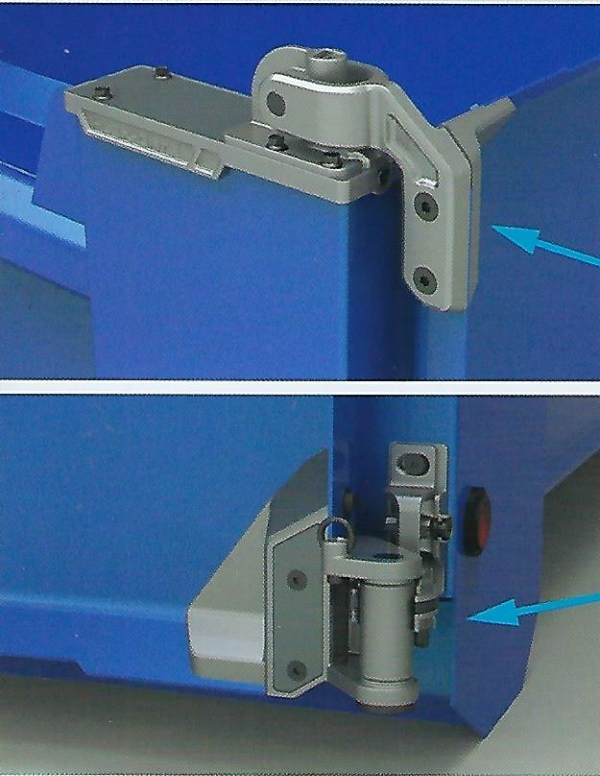


ADAPTABLE. MODULAR. FLEXIBLE. DURABLE.

FLEX-GATE™

Patent pending

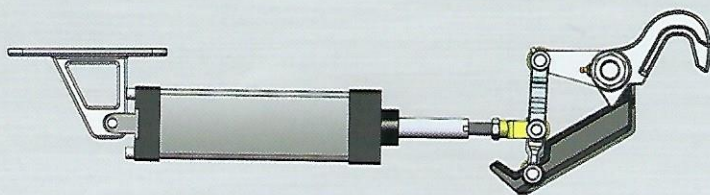
BARN DOOR ACTION OPENING



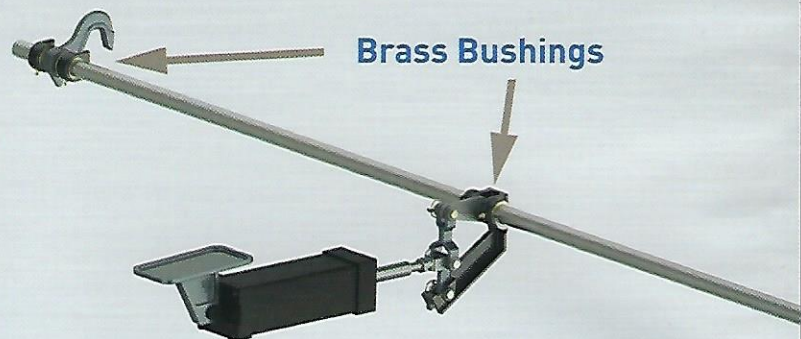
BOLT-ON WITH CAST STEEL COMPONENTS WITH ALL MOVING PARTS HAVING ALUMINUM BRASS BUSHINGS MEANING NO GREASING NEEDED.

ADJUSTABLE TILTING ANGLE FOR PERFECT GATE CLOSURE EVERY TIME EVEN AFTER YEARS OF USE.

FLEX-GATE™ STANDARD LATCH SYSTEM



- Self adjusted over center locking mechanism
- No adjustment required



- Easy to adjust (no need to go under the body)
- Aluminum brass bushings meaning no greasing needed

FLEX-PARTS™

Patent pending



FLEX BOLT-ON COAL CHUTE

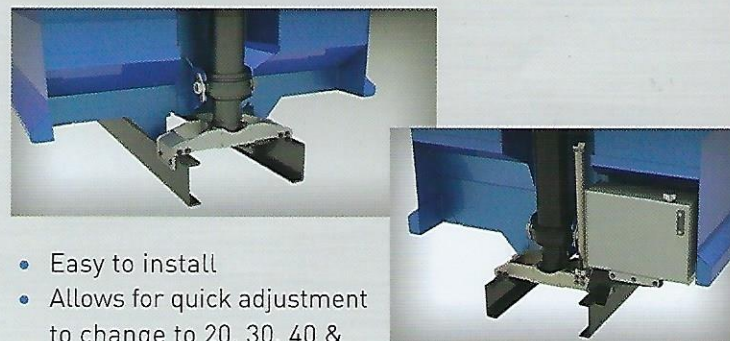
- Heavy duty design
- Reversible handle for either driver or helper side
- Flush with tailgate with no material hang-up
- Coal door cutting guide available for quick & easy after market installation

FLEX BOLT-ON REAR HINGE



- Easy to install
- Allows for quick adjustment to change to 12", 15", 18", 21" & 24" overhang
- 20% stronger than traditional style rear hinges
- Universal configuration good for 30, 40 & 50 ton configurations

FLEX BOLT-ON HOIST CRADLE



- Easy to install
- Allows for quick adjustment to change to 20, 30, 40 & 50 Ton configurations
- Full integration of oil tank & safety prop

FLEX BOLT-ON SAFETY GATE LOCKS



- Can be added any time without damaging paint

FLEX BOLT-ON SPREADER KIT



- A variety of configurations available and easy to install even after initial installation of the dump body

COMING IN 2020 > OUR NEW FLEX BOLT-ON CAB SHIELD & BOLT-ON REAR APRON!

COMING IN 2020



FLEX-BODY™

Patent pending

WHERE QUALITY & DURABILITY MEETS FLEXIBILITY

North American distribution of the Flex-System and its components by SBR Sales through Brandon Manufacturing

